

SE3X Rotary paddle level switch



DESCRIPTION

SE3X rotary paddle level switch is composed by a clutch and a shaft connected with a rotating paddle. While the switch operates, where the motor keeps rotating if non-contact with material. Once it's attached by the material, the clutch unloads instantly, then the motor stopped and triggered an output signal.

SE3X rotary paddle level switch could be applied for chemical, plastic, cement, pharmaceutical, animal feeding and food industries. Its compact body and easy installation make it perfectly suitable for limited spaces. SE3X also equipped with adjustable torque spring to fit wide density range. In addition, the unique dual color LED indicator benefits user to have a timely observation of the working condition.

The wide operating temperature allows it to work under most of environments. The embedded motor fixture improves the robustness, reliability and life. It complies with explosion-proof requirements, therefore user may expect good durability and stability in such environment.

FEATURES

- NEPSI explosion proof.
- Special design of motor structure provides the best durability.
- Ergonomic housing designed .
- Unique dual color LED indicator benefit user to have a timely observation.
- Good working performance in low temperature environment.
- Oil sealed design prevents dust penetration.
- Adjustable torque spring.
- Folding paddle allows one step installation from tank wall.
- Compact design and easy installation.

SPECIFICATIONS

Supply voltage	24/110/220/240Vac 50/60Hz, 24Vdc
Output voltage	5A/250Vac, 5A/30Vdc
Display status	Green: Working Red: Stopped
Ambient temp.	-40~85 °C
Operating temp.	-40~85 °C
Housing material	Aluminum alloy (ADC-12)
IP rating	IP 65
Speed	1 RPM
Applicable S.G.	0.3~1 g/cm ³
Power consumption	Max.1.5 W
Explosion rate	Dust Explosion DIP A20/21 T _A , T3~T6 I P65

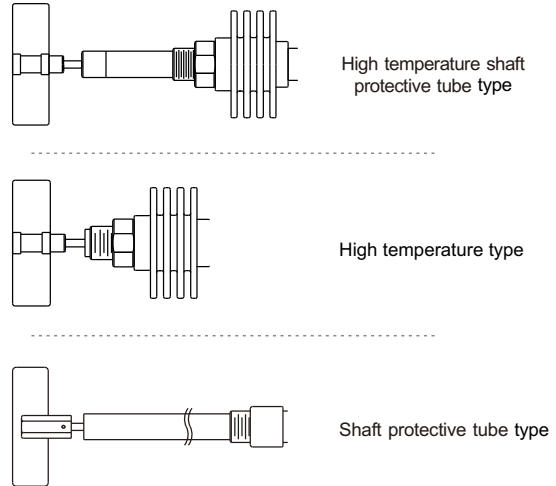
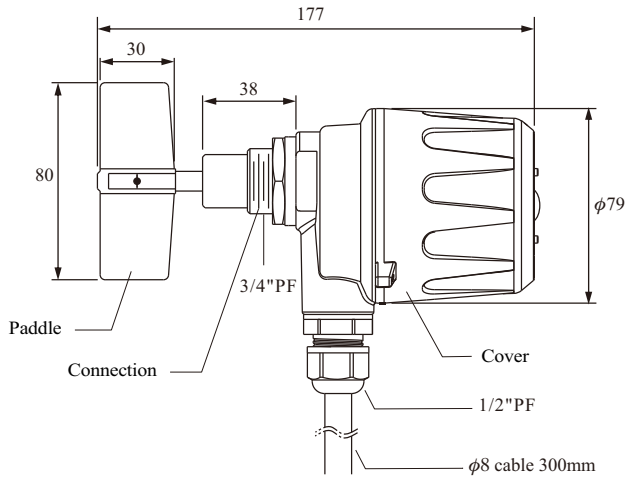
APPLICATIONS

- Animal feed mill
- Plastic mill
- Incinerator plant
- Cement plant
- Ready-mix concrete plant
- Asphalt plant
- Chemical plant
- Power plant
- Pharmaceutical Industry



DIMENSION

(unit:mm)



ORDER INFORMATION

SE3 ()

Explosion-proof housing type

- 7: Ex proof type
- 8: General type

Housing cover

- 0: Aluminum cover
- 1: Aluminum cover with LED lamp
- 2: Plastic
- ※1 and 2 are not available for SE37.

Model

- 0: Standard
- 2: Shaft protective tube
- 4: High temperature
- 5: High temperature shaft protective tube

Supply voltage

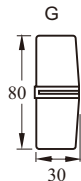
- A: 110Vac, 50/60Hz
- B: 220Vac, 50/60Hz
- C: 240Vac, 50/60Hz
- D: 24Vac, 50/60Hz
- E: 24Vdc

Connection

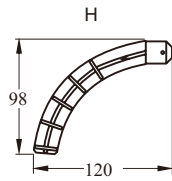
Size for flange or screw		Specification	
C: 3/4"	I: 4"	M: 5kg/cm ²	Z: PN40
D: 1"	J: 5"	N: 10kg/cm ²	Q: PT
E: 1-1/2"	K: 6"	O: 150Lbs	R: PF(G)
F: 2"	S: Special	P: 300Lbs	T: BSP
G: 2-1/2"	3: 1-1/4"	W: PN10	U: NPT
H: 3"		X: PN16	S: Special
		Y: PN25	

Paddle shape (mm)

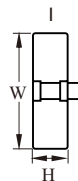
- G: Cross paddle
- H: Scimitar paddle
- I: 100x30 (WxH)
- K: Folding paddle
- S: Special
- : None



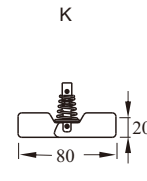
Material: PC



Material: PC



Material: Stainless steel



Material: Stainless steel

Cable length (mm)

- 0500: below 500mm
- 1000: 501~1000mm
- 1500: 1001~1500mm
- ⋮
- ※ 500mm per unit
- ※ Standard length 300mm

