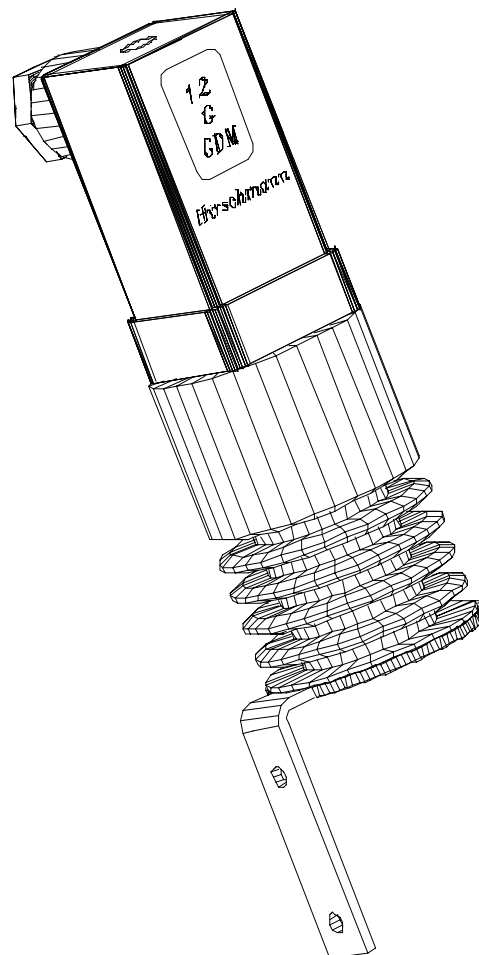
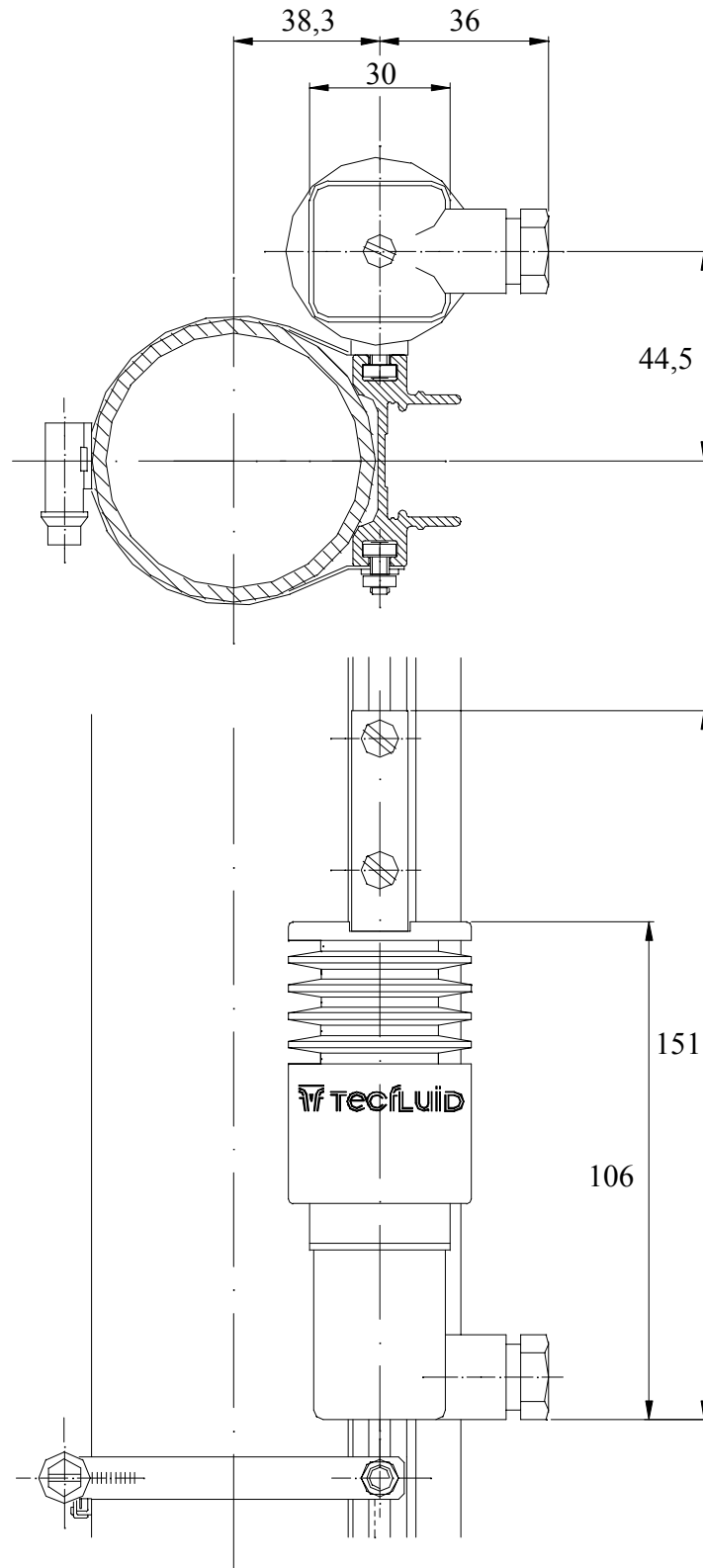


# Instruction Manual



**RECEIVING, INSTALLATION & MAINTENANCE**

## Dimensions



## Application

Bi-stable limit switch, activated by the float's magnetic field for mounting on LTL series levels.

## Technical Characteristics

- DIN 43650 standard connector.
- IP-65 protection.
- Maximum switched current: 0.5 A.
- Maximum working voltage: 220 Vac.  
( for inductive loads , use an auxiliary relay).
- Maximum switched power: 60 W / VA.
- Operate time: 1.1 ms.
- Temperature range: -40, +150°C
- Complies with 73/23/EEC Directive  
Norm EN61010-1

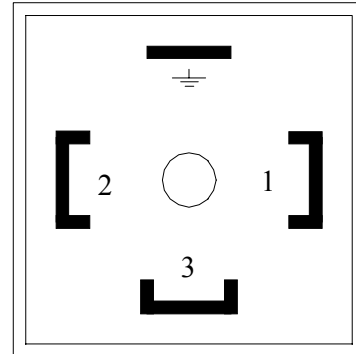
## Operation

The reed switch has a change over contact.  
Terminal 2 is the normally open contact when the float is below the limit switch.

## Connection

In the female connector (A):

Terminal 1:	Reed Common
Terminal 2:	Reed NC - NO
Terminal 3:	Reed NO - NC
Earth Terminal:	Earth



## Mounting

Once the electrical connection has been made and the cable gland has been tightened, mount the female connector (A) on the base (C) with the rubber seal (B) between the two.

Slide the limit switch to it's final position and tighten the clamping screws.

