

# Flow Monitor

## RMU

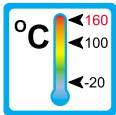
### Operation

The flow monitors type RMU operate with the float measuring principle



### Application

The flow monitors type RMU are used for monitoring volumeflow of liquid media.



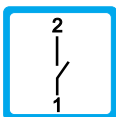
Areas of application:



– Coolingsystems and cooling-circuits



– Mechanical Engineering  
e.g. Weldingmachinery,  
Laserplants



– Research and development

### Features

The RMU series proves itself through reliable function and easy handling. Further characteristics of this sturdy type are:

- universal mounting
- low sensivity to dirt
- infinitely variable switchpoint adjustment through user
- high pressure resistance
- Threaded connection  
Special threads on request

### Installation hints

The installation of the flow monitor can be done in any way in the system. The flow direction must be observed.

The flow monitor must not be used as a supporting part in a pipeconstruction!

The medium must not contain any solid particles!  
We recommend the installation of strainers type SFD or SFM.

External magnetic fields influence the switch contact. Keep adequate distance to those magnetic fields (e.g. electromotors)!

The operating instruction for RMU must be observed under any circumstances!

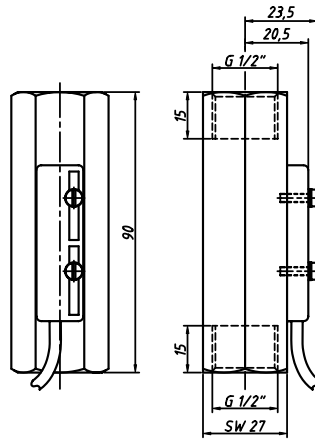
RMU 1 0001 08-04 E M



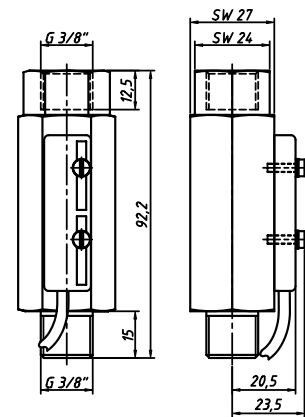
# Measuring Ranges, Technical Data

## Connection diagram:

Normally open



RMU-A



RMU-B

## Summary of types RMU

Type	Switch range (H <sub>2</sub> O) [l/min]	Pressure drop [mbar]	Thread (inlet)	Thread (outlet)	Weight (approx.) [g]
RMU-A11	2,5 — 11,0	25 — 175	G 1/2" Female	G 1/2" Female	320
RMU-A15	5,0 — 15,5	85 — 250	G 1/2" Female	G 1/2" Female	320
RMU-B02	0,4 — 2,1	25 — 175	G 3/8" Male	G 3/8" Female	320
RMU-B12	3,0 — 12,5	75 — 275	G 3/8" Male	G 3/8" Female	320
RMU-B18	8,5 — 18,5	125 — 300	G 3/8" Male	G 3/8" Female	320

## Technical Data

Operating Data	RMU-A	RMU-B
Operating pressure:	PN 250 bar	PN 250 bar
Maximum temperature:	100 °C (optional 160 °C)	100 °C (optional 160 °C)
Accuracy:	10 % of full scale	10 % of full scale

## Electrical Data

Normally open:	max. 230V • 3A • 60VA	max. 230V • 3A • 60VA
Protection type:	IP67 (1m sealed in cable)	IP67 (1m sealed in cable)
Output signal:	The contact opens, when the flow falls below the set point	
Power supply:	Not required (potentialfree reed contact)	

Other cable lengths on request

## Material

Body	(wetted part)	Brass	Brass
Float	(wetted part)	Brass	Brass
Spring	(wetted part)	1.4571	1.4571
Magnets	(wetted part)	Hardferrit	Hardferrit
Gasket	(wetted part)	—	NBR*

\*Other gasket materials on request

RMU 2 0001 08-04 E M

