

# Agma 22

*Level regulator with magnetic hook-up*

The Agma 22 level regulator is a very useful instrument when used directly on pumps which must work in very small wells, for which the common float switch would not have enough room to work.

The patented instrument, with magnetic coupling is composed of a float which runs inside a cylinder and has a magnet on top, which, when it is near the upper side, attracts the microswitch lever.

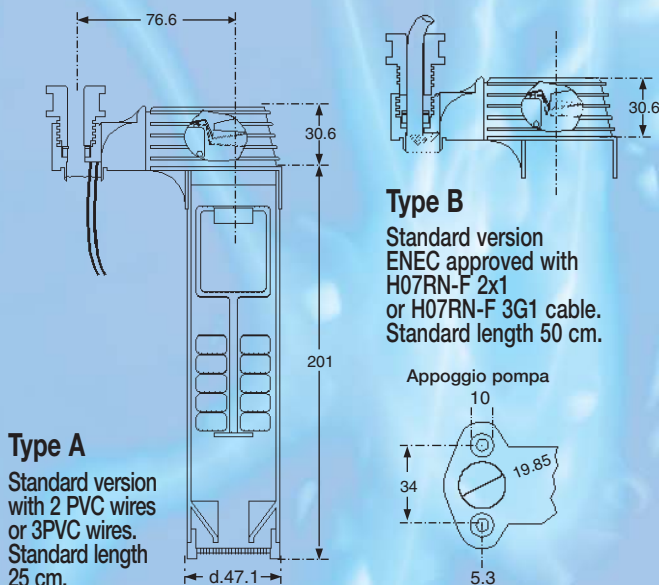
The microswitch is placed in a completely sealed box which guarantees a long life to the instrument.

General features	
Housing	Non toxic PP - Non toxic PC
Microswitch electrical features	20(8)A 250V~
External marking	10(8)A 250V~
Operating temperature	0 °C ÷ +50 °C
Storage temperature	-20 °C ÷ +80 °C
Service	Continuous
Protection grade	The microswitch head is of watertight construction
Max pressure working	0,5 bar
Differential	cm 7 - 8
Mounting position	Vertical
Dimensions	Please see the illustration
Weight	gr. 300



Agma Type A	
<b>Two Wire Model</b>	
Output cable	Two fireproof PVC wires cm 25
Function class	II
Code	AG00000000
Code with manual selector	AG00000010
<b>Three Wire Model With Ground</b>	
Output cable	Three fireproof PVC wires cm 25
Function class	I
Code	AG0H000000
Code with manual selector	AG0H000010

Agma Type B	
<b>Model H07RN-F 2X1 Cable</b>	
Output cable	H07RN-F 2X1 cm.50
Cable diameter	9 ± 0,3 mm
Approval	ENEC
Function class	II
Code	AG0NC50000
Code with manual selector	AG0NC50010
<b>Model H07RN-F 3G1 Cable With Ground Wire</b>	
Output cable	H07RN-F 3G1 cm.50
Cable diameter	9 ± 0,3 mm
Approval certificates	ENEC
Function class	I
Code	AG0HC50000
Code with manual selector	AG0HC50010



Version with automatic/manual selector.  
Available with all models.

