

RP - Throttling piston valve

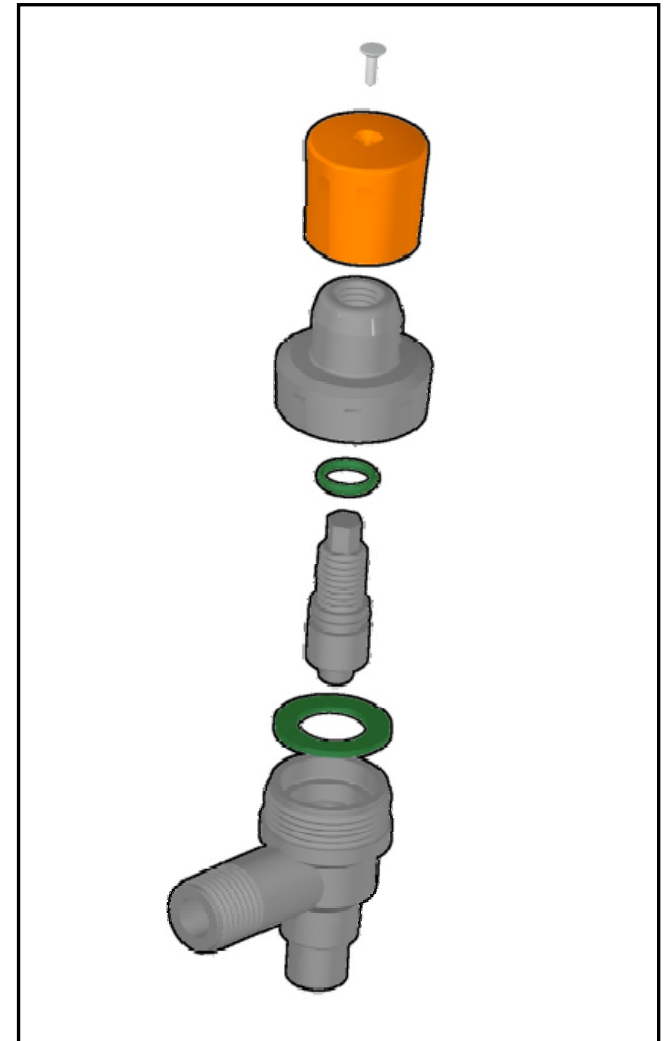
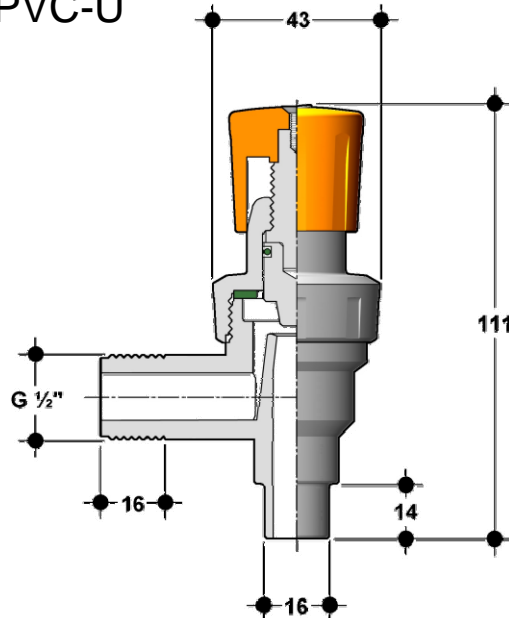
FIP DEVELOPED FOR THE FERTILIZER DOSING EQUIPMENT, BASED ON VENTURI SYSTEM, A NEW THROTTLING VALVE WITH CONIC PISTON.

Code: DRPIDVEF1

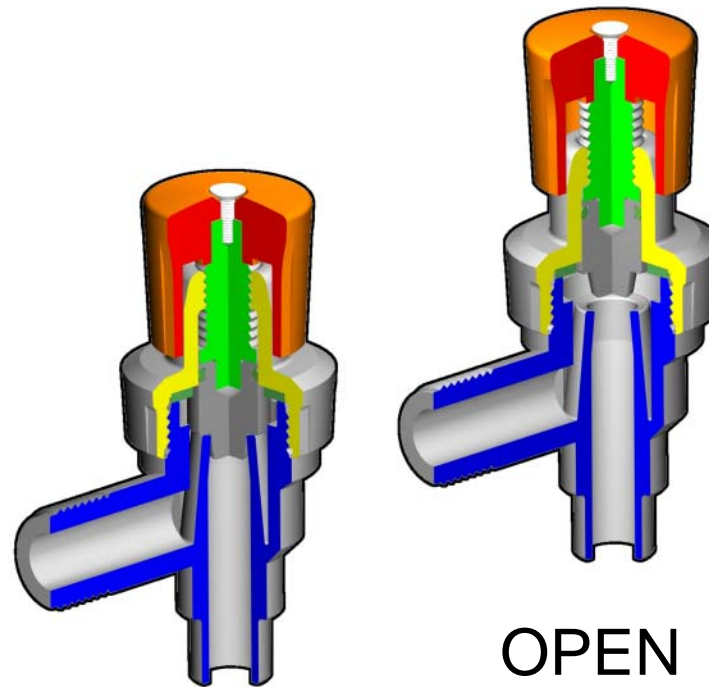
Name: RPDRV 16 X 1/2" FPM

Body material : PVC-U

Seals: FPM



RP - Throttling piston valve



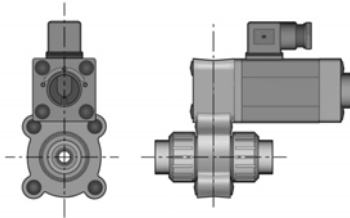
CLOSED

OPEN

RP - Throttling piston valve

APPLICATION:

Fertilizer dosing equipment in combination with FIP solenoid valves S1 or S2 and Rotameter FL or FC



S1-S2



FL-FC

